



Aluminium **Gate Catalogue**

Technical catalogue for sizes on swing gates, including pedestrian gates.



ALUMINIUM GATES

Our designs bring a contemporary twist to the traditional style, making them suitable for all types of properties.

Standard Sizes

Bespoke sizes are available.

Height:	1600mm	1800mm	2000mm	2200mm			
Width:	3000mm	3250mm	3500mm	3750mm	4000mm	4250mm	4500mm

Light & Strong

Although aluminium is very strong, it is also lightweight which makes it a versatile material. This is perfect for the fabrication of gates compared to traditional metals.



Low Maintenance

Aluminium is highly resistant to corrosion unlike other metals, it will not suffer from changing weather conditions and actually becomes stronger in low temperatures, perfect for UK buyers!

Custom Colours

Choose from a large range of both contemporary and traditional gate designs, available in two stock colours, Black & Anthracite Grey. Bespoke RAL colours available on request.



Black
(RAL 9005)



Anthracite Grey
(RAL 7016)



Bespoke colours
available on request.

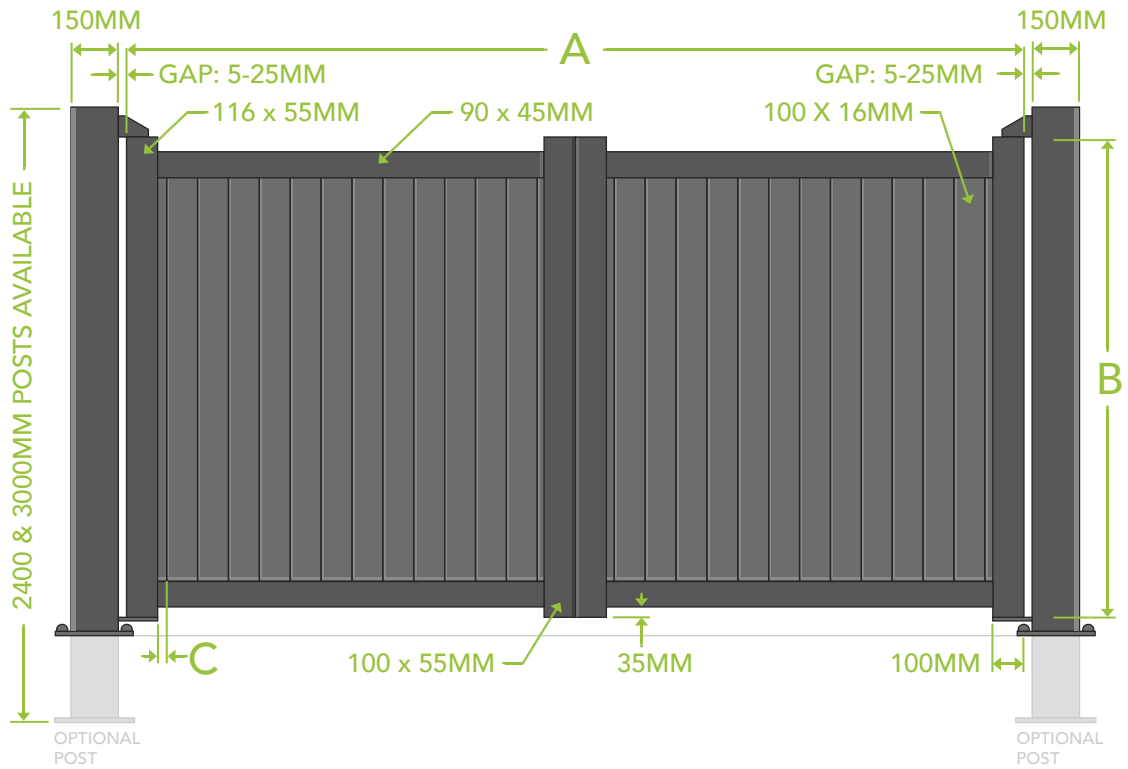


Pre Planned Maintenance

Automated gate maintenance (technical inspection) should be carried out at least twice a year to maintain operational performance and optimum levels of health and safety. We offer a complete maintenance package to all customers to suit their requirements.

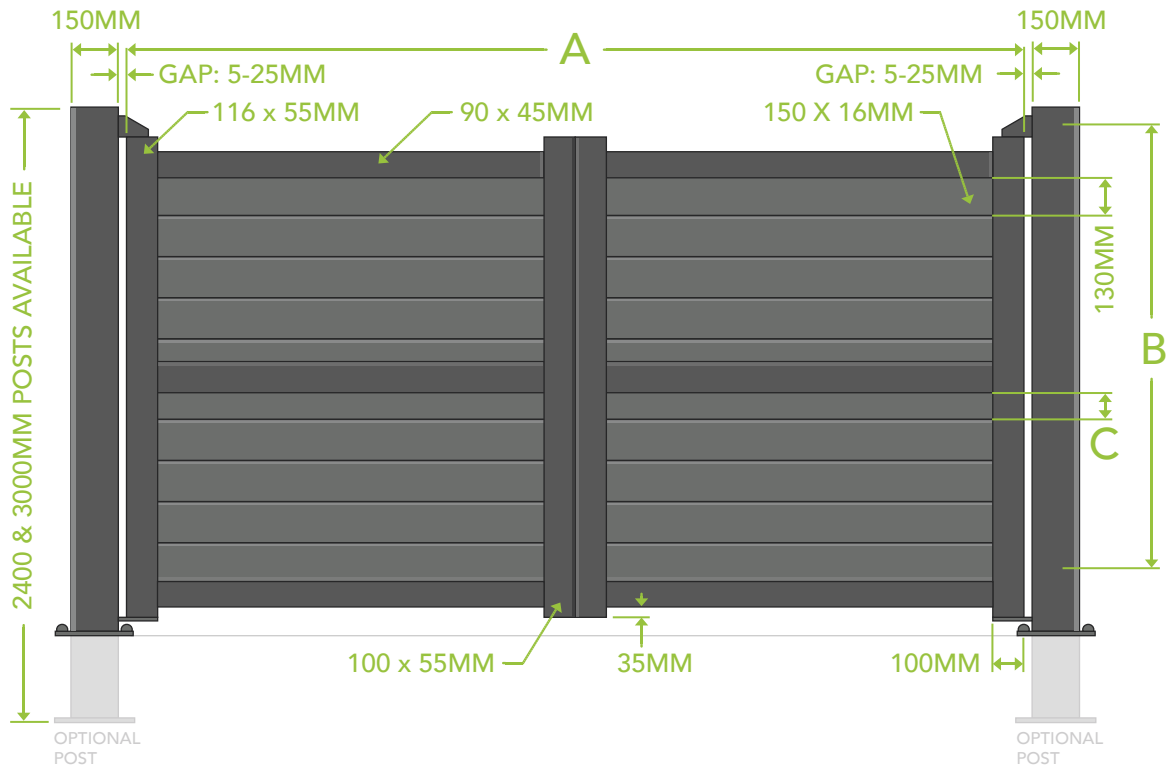


ETAG001ADG



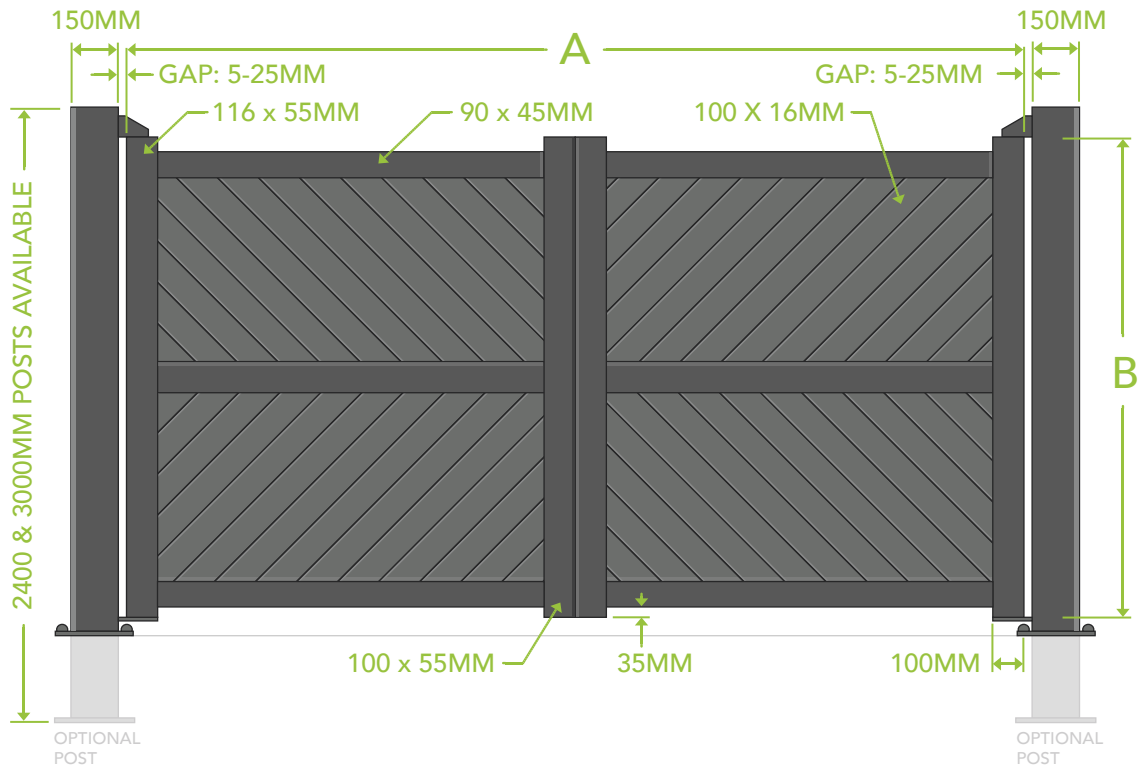
A (mm)	B (mm)	C (mm)
3000	1600	50
3000	1800	50
3000	2000	50
3000	2200	50
3250	1600	63
3250	1800	63
3250	2000	63
3250	2200	63
3500	1600	75
3500	1800	75
3500	2000	75
3500	2200	75
3750	1600	38
3750	1800	38
3750	2000	38
3750	2200	38
4000	1600	50
4000	1800	50
4000	2000	50
4000	2200	50

ETAG002ADG



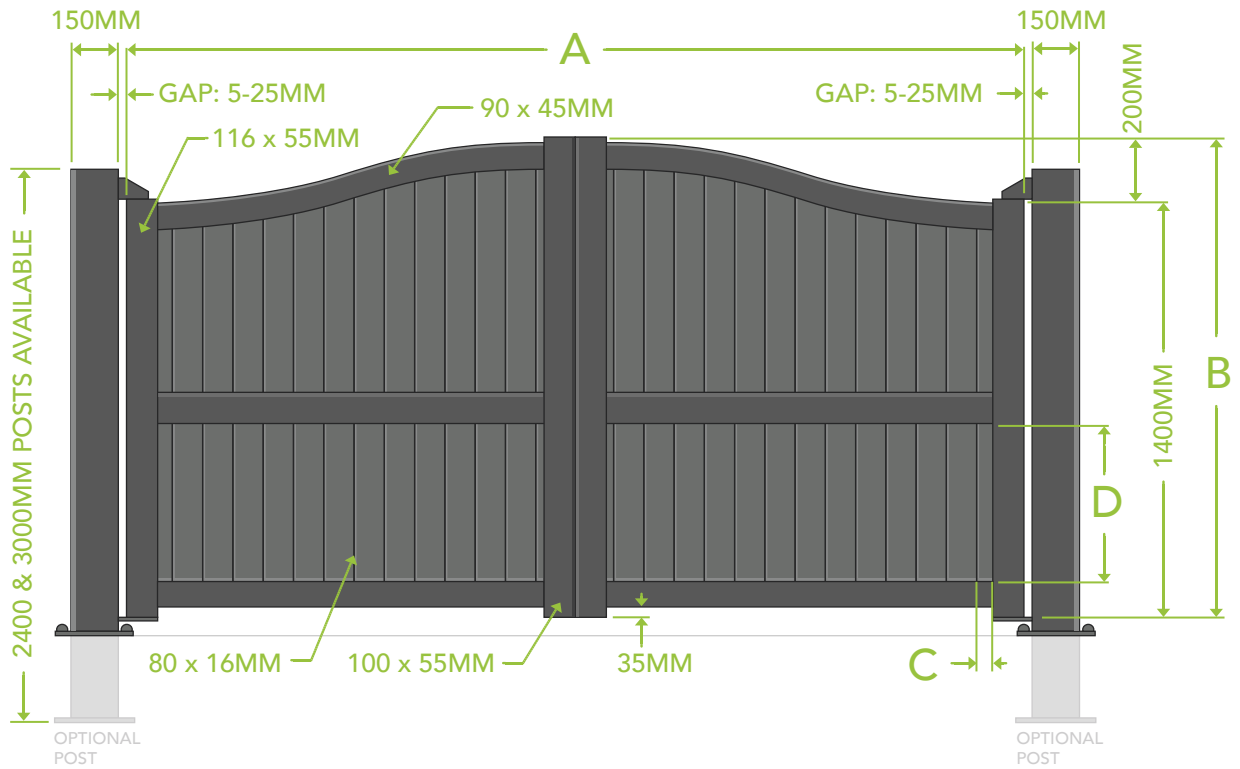
A (mm)	B (mm)	C (mm)
3000	1600	67
3000	1800	22
3000	2000	122
3250	1600	67
3250	1800	22
3250	2000	122
3500	1600	67
3500	1800	22
3500	2000	122
3750	1600	67
3750	1800	22
3750	2000	122
3750	2200	78
4000	1600	67
4000	1800	22
4000	2000	122
4000	2200	78

ETAG003ADG



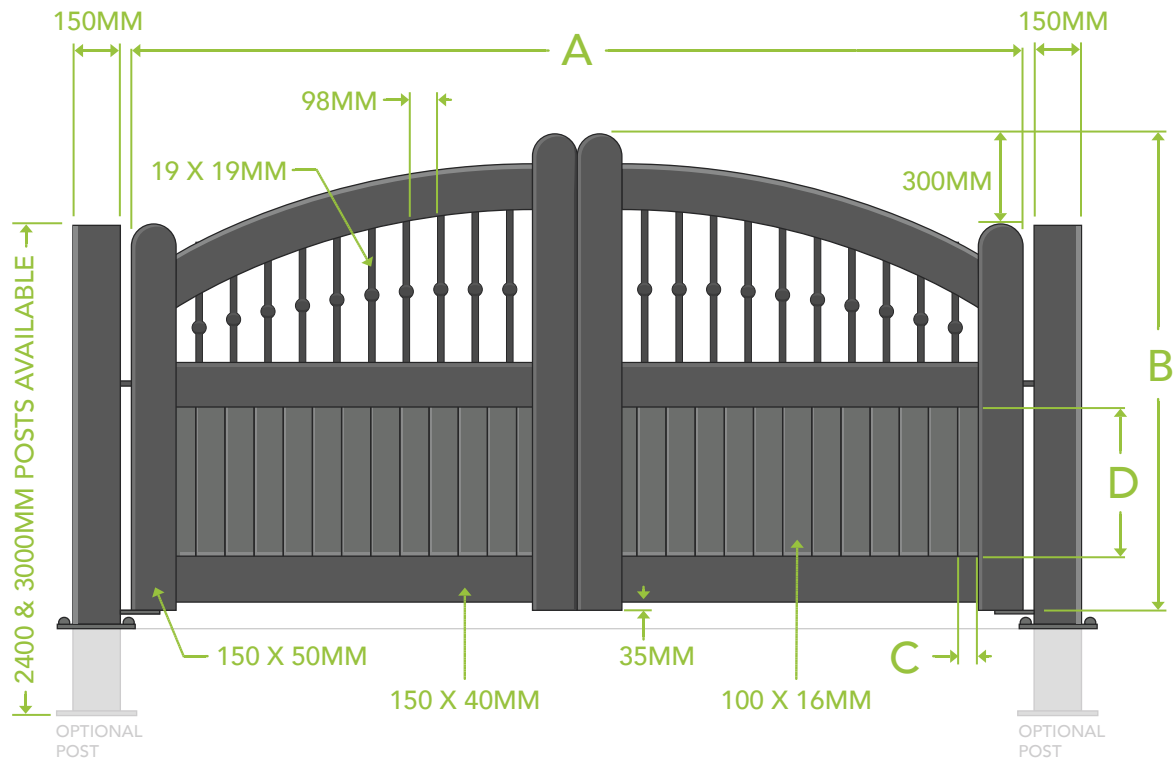
A (mm)	B (mm)
3000	1600
3000	1800
3000	2000
3000	2200
3250	1600
3250	1800
3250	2000
3250	2200
3500	1600
3500	1800
3500	2000
3500	2200
3750	1600
3750	1800
3750	2000
3750	2200
4000	1600
4000	1800
4000	2000
4000	2200

ETAG004ADG



A (mm)	B (mm)	C (mm)	D (mm)
3000	1600	50	500
3000	1800	50	500
3000	2000	50	700
3000	2200	50	700
3250	1600	63	500
3250	1800	63	500
3250	2000	63	700
3250	2200	63	700
3500	1600	75	500
3500	1800	75	500
3500	2000	75	700
3500	2200	75	700
3750	1600	38	500
3750	1800	38	500
3750	2000	38	700
3750	2200	38	700
4000	1600	50	500
4000	1800	50	500
4000	2000	50	700
4000	2200	50	700

ETAG005ADG



A (mm)	B (mm)	C (mm)	D (mm)
3500	1800	75	500
3500	2000	75	700
3750	1800	38	500
3750	2000	38	700
4000	1800	50	500
4250	1800	63	500
4250	2000	63	700
4500	1800	75	500
4500	2000	75	700

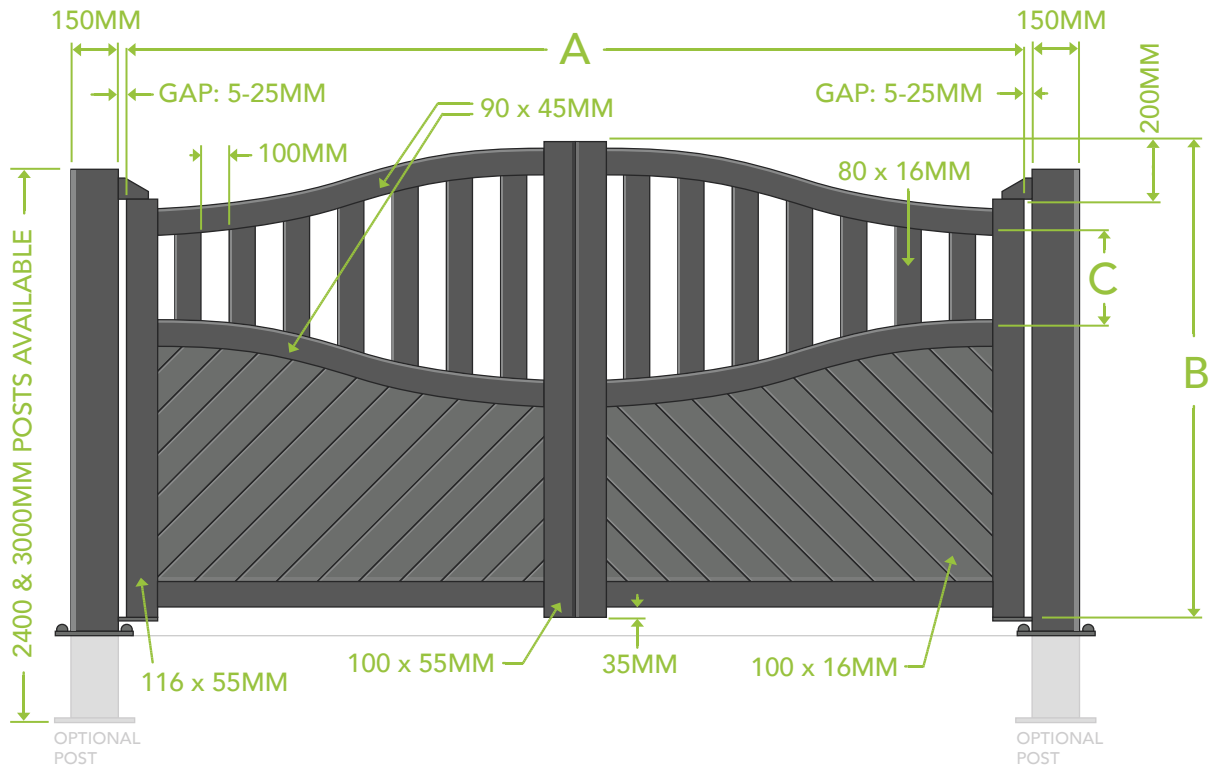
Installation

Whether it be wooden, steel or aluminum, manually operated or electrically powered, we offer a complete installation package. All of our powered gates are supplied with class-leading safety systems as standard and come with a comprehensive twelve-month warranty.

For a free, no-obligation quotation and site survey to assess your gate requirements please contact us on 01827 946700.

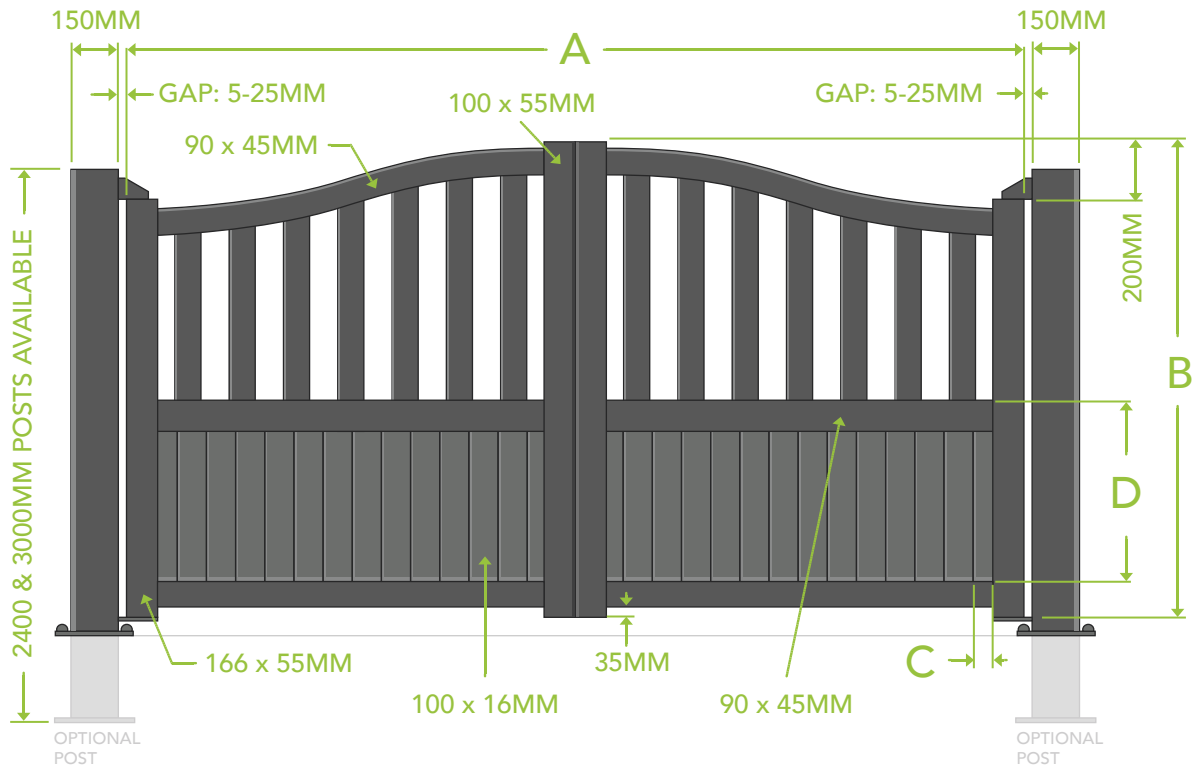


ETAG006ADG



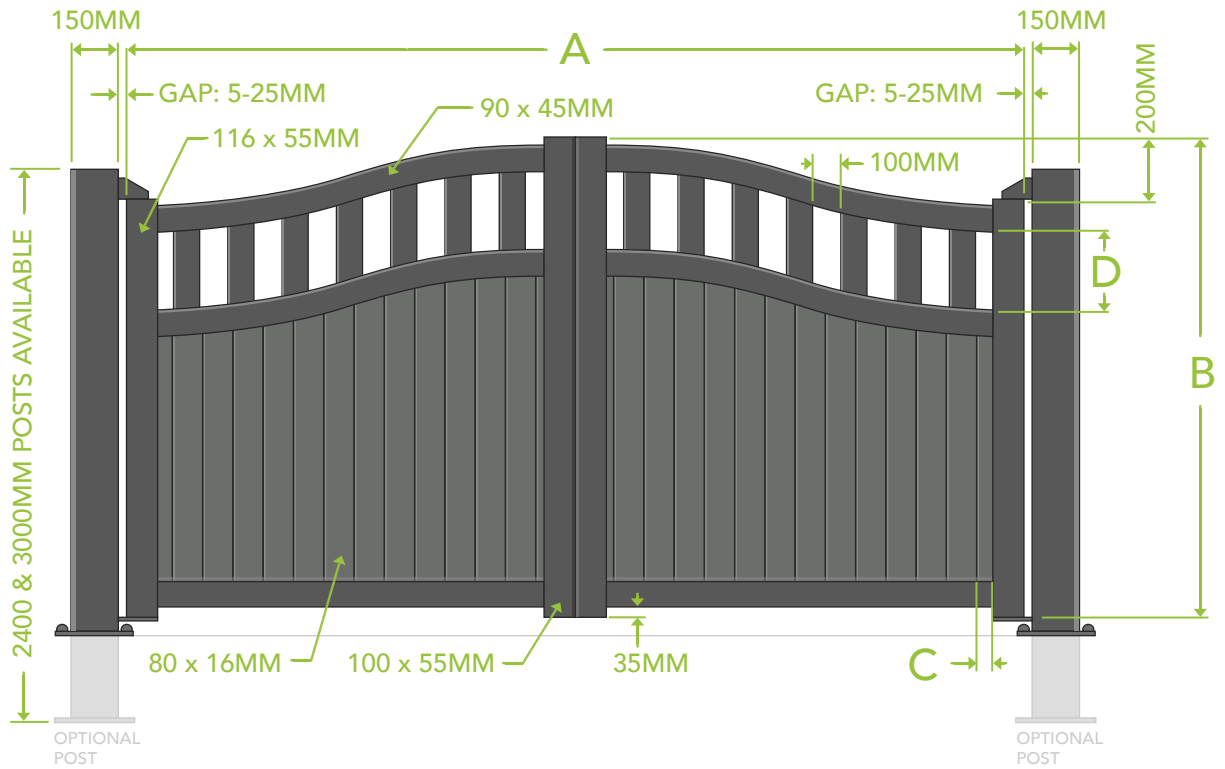
A (mm)	B (mm)	C (mm)
3000	1600	280
3000	1800	280
3000	2000	350
3000	2200	350
3250	1600	280
3250	1800	280
3250	2000	350
3250	2200	350
3500	1600	280
3500	1800	280
3500	2000	350
3500	2200	350
3750	1600	280
3750	1800	280
3750	2000	350
3750	2200	350
4000	1600	280
4000	2000	350
4000	2200	350

ETAG007ADG



A (mm)	B (mm)	C (mm)	D (mm)
3000	1600	50	500
3000	1800	50	500
3000	2000	50	700
3000	2200	50	700
3250	1600	63	500
3250	1800	63	500
3250	2000	63	700
3250	2200	63	700
3500	1600	75	500
3500	1800	75	500
3500	2000	75	700
3500	2200	75	700
3750	1600	38	500
3750	1800	38	500
3750	2000	38	700
3750	2200	38	700
4000	1600	50	500
4000	1800	50	500
4000	2000	50	700
4000	2200	50	700

ETAG008ADG



A (mm)	B (mm)	C (mm)	D (mm)
3000	1600	50	280
3000	1800	50	280
3000	2000	50	350
3000	2200	50	350
3250	1600	63	280
3250	1800	63	280
3250	2000	63	350
3250	2200	63	350
3500	1600	75	280
3500	1800	75	280
3500	2000	75	350
3500	2200	75	350
3750	1600	88	280
3750	1800	88	280
3750	2000	88	350
3750	2200	88	350
4000	1600	50	280
4000	2000	50	350
4000	2200	50	350

PEDESTRIAN GATES

Aluminium pedestrian gates that provide full privacy with modern, stylish, streamlined designs. These compliment our range of aluminium gates.



ETAG001PG

Custom Colours

Choose from a large range of both contemporary and traditional gate designs, available in two stock colours, Black & Anthracite Grey. Bespoke RAL colours available on request.



Black
(RAL 9005)



Anthracite Grey
(RAL 7016)



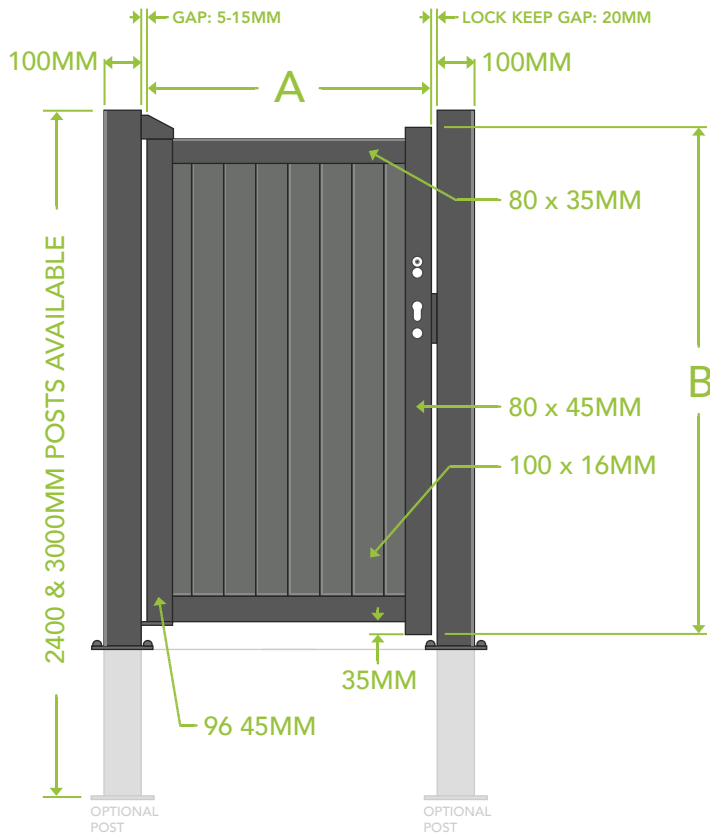
Bespoke colours
available on request.

Safety Surveys

Our experts are certified to inspect all types of powered and automated gates: cantilevered and tracked sliding, swing, bi-folding and telescopic. During a survey, your gates will be checked for compliance to current British safety standards to ensure the safety and wellbeing of all users including their friends, families and pets.



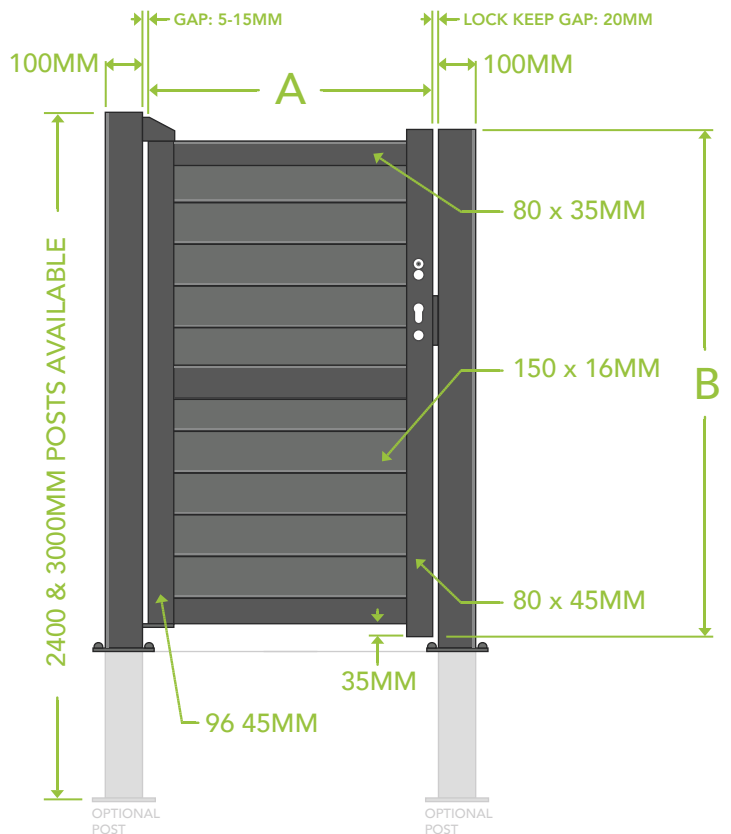
ETAG001PG

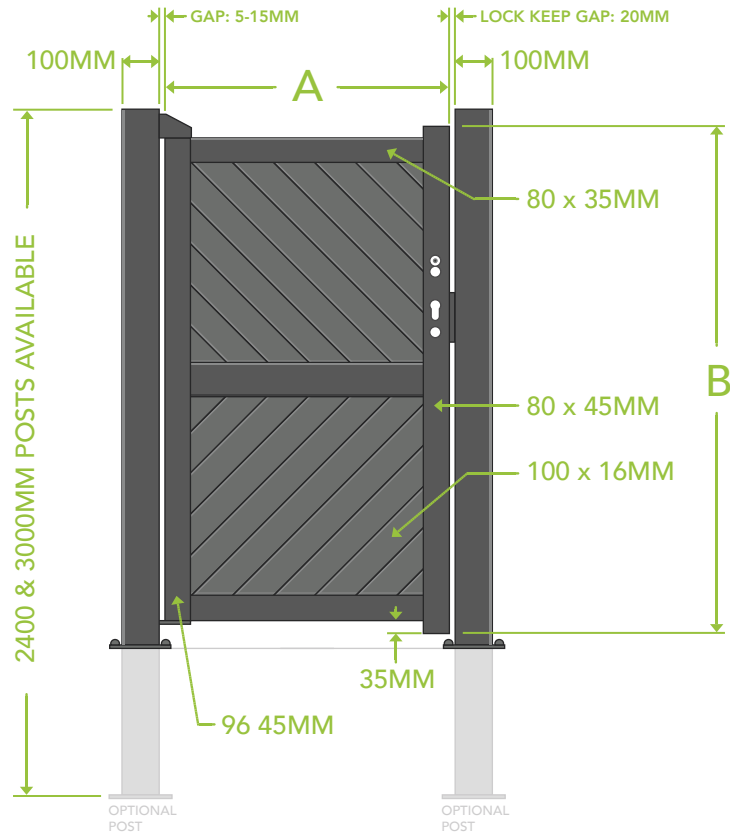


A (mm)	B (mm)
900	1600
900	1800
900	2000
900	2200
1000	1600
1000	1800
1000	2000
1000	2200
1100	1600
1100	1800
1100	2000
1100	2200
1200	1600
1200	1800
1200	2000
1200	2200

ETAG002PG

A (mm)	B (mm)
900	1600
900	1800
900	2000
900	2200
1000	1600
1000	1800
1000	2000
1000	2200
1100	1600
1100	1800
1100	2000
1100	2200
1200	1600
1200	1800
1200	2000
1200	2200





A (mm)	B (mm)
900	1600
900	1800
900	2000
900	2200
1000	1600
1000	1800
1000	2000
1000	2200
1200	1600
1200	1800
1200	2000
1200	2200

Service & Repairs




Automatic gates contain several electrical and mechanical components that must be regularly serviced to maintain operational performance and optimum levels of health and safety. We offer a full range of servicing and repair options for all manual and electrically powered gate systems to provide you with complete and total peace of mind when it comes to your gates.



GET IN TOUCH TODAY



Our team are always happy to talk through the many options available. For a free, non-obligation quote and site survey to assess your gate requirements, speak to one of our experts.

-  www.etag.services
-  sales@etag.services
-  01827 946700



Explore our range of gate Accessories

